

## Ontero CS 90

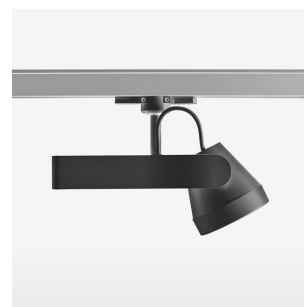
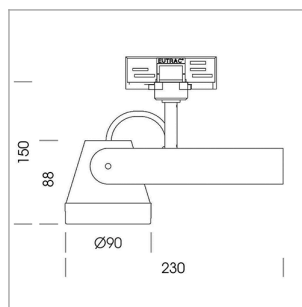
Article number: 20500009

### LIGHT TECHNOLOGY

LED	COB
Light colour	840
Luminous flux	3120 lm
System power	23 W
Luminaire Efficiency	135 lm/W
Reflector	Spot
Beam angle	15°

### LUMINAIRE

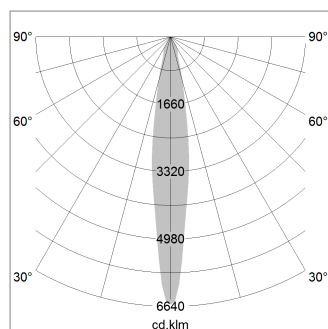
Rotation angle	350°
Swivel angle	+180° / -20°
Weight	1.3 kg
Protection rating . class	IP 20 . I
Luminaire colour	stratoblack



Surface-mounted luminaire with LED, rated life of the LED L80/B10 > 50000 h, colour rendering index CRI > 80, chromaticity tolerance 2 SDCM (initial), reflector with circular light distribution pattern, reflector pure aluminium 99,99% in MIRO-Silver®, luminaire head die-cast aluminium, powder-coated, rotation angle 350°, swivel angle +180°/-20°, luminaire housing sheet steel, powder-coated, stratoblack

Multiadapter black, inclusive driver unit: 220-240 V~ / 50-60 Hz, max. 34 luminaires per circuit (B16A fuse)

Note: All data are typical values. System features may change with product improvements due to technical advances. Errors excepted.



1.0 m	0.28	20597.5
2.0 m	0.56	5149.4
3.0 m	0.84	2288.6
4.0 m	1.12	1287.3
5.0 m	1.40	823.9
Ø (m)		E0(0°) [lx]

