

Ontero CS 90

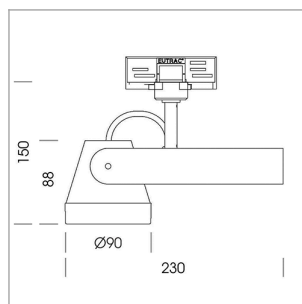
Article number: 20520014

LIGHT TECHNOLOGY

LED	COB
Light colour	835
Luminous flux	2110 lm
System power	15 W
Luminaire Efficiency	134 lm/W
Reflector	Flood
Beam angle	43°

LUMINAIRE

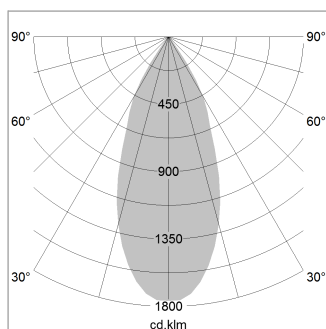
Rotation angle	350°
Swivel angle	+180° / -20°
Weight	1.3 kg
Protection rating . class	IP 20 . I
Luminaire colour	stratosilver



Surface-mounted luminaire with LED, rated life of the LED L80/B10 > 50000 h, colour rendering index CRI > 80, chromaticity tolerance 2 SDCM (initial), reflector with circular light distribution pattern, reflector pure aluminium 99,99% in MIRO-Silver®, luminaire head die-cast aluminium, powder-coated, rotation angle 350°, swivel angle +180°/-20°, luminaire housing sheet steel, powder-coated, stratosilver

Multiadapter black, inclusive driver unit: 220-240 V~ / 50-60 Hz, max. 34 luminaires per circuit (B16A fuse)

Note: All data are typical values. System features may change with product improvements due to technical advances. Errors excepted.



Distance (m)	Beam Diameter (m)	Illuminance E0(0°) [lx]
1.0 m	0.81	3712.8
2.0 m	1.62	928.2
3.0 m	2.43	412.5
4.0 m	3.24	232.0
5.0 m	4.05	148.5

