

Ontero EC 125

Article number: 21020024

LIGHT TECHNOLOGY

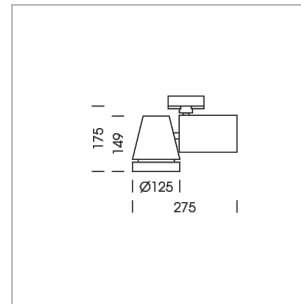
| | |
|----------------------|----------|
| LED | COB |
| Light colour | 840 |
| Luminous flux | 3290 lm |
| System power | 23 W |
| Luminaire Efficiency | 141 lm/W |
| Reflector | Spot |
| Beam angle | 20° |

LUMINAIRE

| | |
|---------------------------|-------------|
| Rotation angle | 350° |
| Swivel angle | 210° |
| Weight | 2.1 kg |
| Protection rating . class | IP 20 . I |
| Luminaire colour | stratowhite |

OPTIONEEL

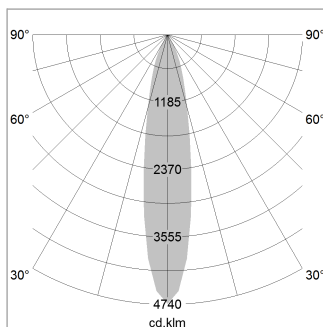
RAL-colours, NCS-colours (powder coating or wet spraying) on inquiry, surface alloys on inquiry, honeycomb louver



Surface-mounted luminaire with LED, rated life of the LED L80/B10 > 50000 h, colour rendering index CRI > 80, chromaticity tolerance 2 SDCM (initial), reflector with circular light distribution pattern, reflector pure aluminium 99,99% in MIRO-Silver®, rotation angle 350°, swivel angle 210°, luminaire housing die-cast aluminium, powder-coated, stratowhite

Multiadapter black, inclusive driver unit: 220-240 V~ / 50-60 Hz, max. 34 luminaires per circuit (B16A fuse)

Note: All data are typical values. System features may change with product improvements due to technical advances. Errors excepted.



| | | |
|-------|------|-------------|
| 1.0 m | 0.31 | 19869.6 |
| 2.0 m | 0.62 | 4967.4 |
| 3.0 m | 0.93 | 2207.7 |
| 4.0 m | 1.24 | 1241.9 |
| 5.0 m | 1.55 | 794.8 |
| Ø (m) | | E0(0°) [lx] |

