

## Ontero EC 125

Article number: 21060002

### LIGHT TECHNOLOGY

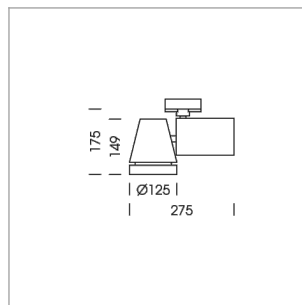
|                      |          |
|----------------------|----------|
| LED                  | COB      |
| Light colour         | 830      |
| Luminous flux        | 4970 lm  |
| System power         | 41 W     |
| Luminaire Efficiency | 121 lm/W |
| Reflector            | Flood    |
| Beam angle           | 40°      |

### LUMINAIRE

|                           |             |
|---------------------------|-------------|
| Rotation angle            | 350°        |
| Swivel angle              | 210°        |
| Weight                    | 2.1 kg      |
| Protection rating . class | IP 20 . I   |
| Luminaire colour          | stratoblack |

### OPTIONEEL

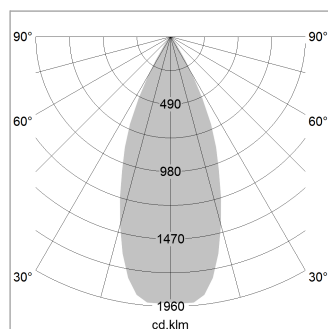
RAL-colours, NCS-colours (powder coating or wet spraying) on inquiry, surface alloys on inquiry, honeycomb louver



Surface-mounted luminaire with LED, rated life of the LED L80/B10 > 50000 h, colour rendering index CRI > 80, chromaticity tolerance 2 SDCM (initial), reflector with circular light distribution pattern, reflector pure aluminium 99,99% in MIRO-Silver®, rotation angle 350°, swivel angle 210°, luminaire housing die-cast aluminium, powder-coated, stratoblack

Multiadapter black, inclusive driver unit: 220-240 V~ / 50-60 Hz, max. 24 luminaires per circuit (B16A fuse)

Note: All data are typical values. System features may change with product improvements due to technical advances. Errors excepted.



|       |       |             |
|-------|-------|-------------|
| 1.0 m | 0.73  | 9868.4      |
| 2.0 m | 1.46  | 2467.1      |
| 3.0 m | 2.19  | 1096.5      |
| 4.0 m | 2.92  | 616.8       |
| 5.0 m | 3.65  | 394.7       |
|       | Ø (m) | E0(0°) [lx] |

