

Ontero EC 125

Article number: 21060015

LIGHT TECHNOLOGY

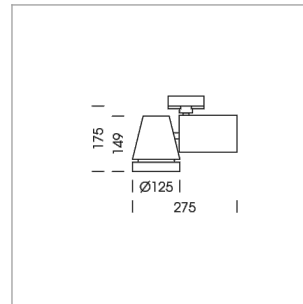
LED	COB
Light colour	835
Luminous flux	5520 lm
System power	47 W
Luminaire Efficiency	116 lm/W
Reflector	Flood
Beam angle	40°

LUMINAIRE

Rotation angle	350°
Swivel angle	210°
Weight	2.1 kg
Protection rating . class	IP 20 . I
Luminaire colour	stratoblack

OPTIONEEL

RAL-colours, NCS-colours (powder coating or wet spraying) on inquiry, surface alloys on inquiry, honeycomb louver



Surface-mounted luminaire with LED, rated life of the LED L80/B10 > 50000 h, colour rendering index CRI > 80, chromaticity tolerance 2 SDCM (initial), reflector with circular light distribution pattern, reflector pure aluminium 99,99% in MIRO-Silver®, rotation angle 350°, swivel angle 210°, luminaire housing die-cast aluminium, powder-coated, stratoblack

Multiadapter black, inclusive driver unit: 220-240 V~ / 50-60 Hz, max. 24 luminaires per circuit (B16A fuse)

Note: All data are typical values. System features may change with product improvements due to technical advances. Errors excepted.



1.0 m	0.73	10960.5
2.0 m	1.46	2740.1
3.0 m	2.19	1217.8
4.0 m	2.92	685.0
5.0 m	3.65	438.4
	Ø (m)	E0(0°) [lx]

