

Ontero EC 125

Article number: 21070114

LIGHT TECHNOLOGY

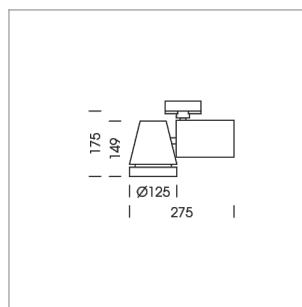
| | |
|----------------------|------------|
| LED | COB |
| Light colour | PearlWhite |
| Luminous flux | 4060 lm |
| System power | 41 W |
| Luminaire Efficiency | 99 lm/W |
| Reflector | OvalBasic |
| Beam angle | 60° x 40° |

LUMINAIRE

| | |
|---------------------------|-------------|
| Rotation angle | 350° |
| Swivel angle | 210° |
| Weight | 2.1 kg |
| Protection rating . class | IP 20 . I |
| Luminaire colour | stratowhite |

OPTIONEEL

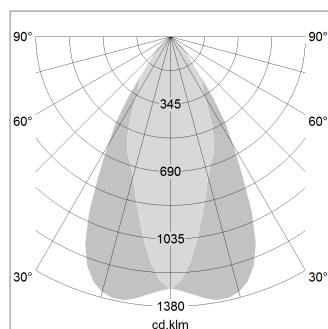
RAL-colours, NCS-colours (powder coating or wet spraying) on inquiry, surface alloys on inquiry, honeycomb louver



Surface-mounted luminaire with LED, rated life of the LED L80/B10 > 50000 h, colour rendering index CRI > 90, chromaticity tolerance 2 SDCM (initial), reflector with oval light distribution pattern, reflector pure aluminium 99,99% in MIRO-Silver®, rotation angle 350°, swivel angle 210°, luminaire housing die-cast aluminium, powder-coated, stratowhite

Multiadapter black, inclusive driver unit: 220-240 V~ / 50-60 Hz, max. 24 luminaires per circuit (B16A fuse)

Note: All data are typical values. System features may change with product improvements due to technical advances. Errors excepted.



| Distance (m) | Beam Diameter (m) | Beam Area (m²) | Illuminance (lx) |
|--------------|-------------------|----------------|------------------|
| 1.0 | 1.05 | 0.41 | 6322.1 |
| 2.0 | 2.10 | 0.82 | 1580.5 |
| 3.0 | 3.15 | 1.22 | 702.5 |
| 4.0 | 4.20 | 1.63 | 395.1 |
| 5.0 | 5.25 | 2.04 | 252.9 |

Ø (m) E0(0°) [lx]

