

Ontero EC 125

Article number: 21160124

LIGHT TECHNOLOGY

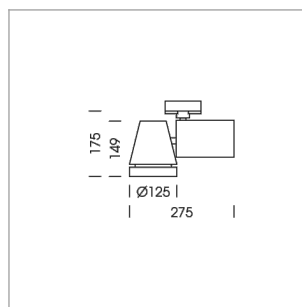
LED	COB
Light colour	PearlWhite
Luminous flux	4450 lm
System power	47 W
Luminaire Efficiency	94 lm/W
Reflector	OvalBasic
Beam angle	60° x 40°

LUMINAIRE

Rotation angle	350°
Swivel angle	210°
Weight	2.1 kg
Protection rating . class	IP 20 . I
Luminaire colour	stratosilver

OPCJA

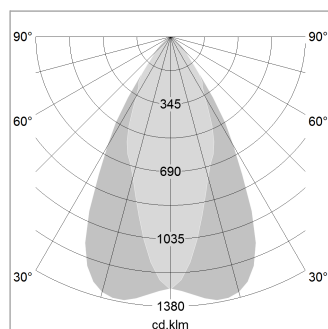
RAL-colours, NCS-colours (powder coating or wet spraying) on inquiry, surface alloys on inquiry, honeycomb louver



Surface-mounted luminaire with LED, rated life of the LED L80/B10 > 50000 h, colour rendering index CRI > 90, chromaticity tolerance 2 SDCM (initial), reflector with oval light distribution pattern, reflector pure aluminium 99,99% in MIRO-Silver®, rotation angle 350°, swivel angle 210°, luminaire housing die-cast aluminium, powder-coated, stratosilver

Multiadapter black, inclusive driver unit: 220-240 V~ / 50-60 Hz, max. 20 luminaires per circuit (B16A fuse)

Note: All data are typical values. System features may change with product improvements due to technical advances. Errors excepted.



1.0 m	1.05 0.41	6929.4
2.0 m	2.10 0.82	1732.3
3.0 m	3.15 1.22	769.9
4.0 m	4.20 1.63	433.1
5.0 m	5.25 2.04	277.2
	Ø (m)	E0(0°) [lx]

