

## Ontero IC

Article number: 21460125

### LIGHT TECHNOLOGY

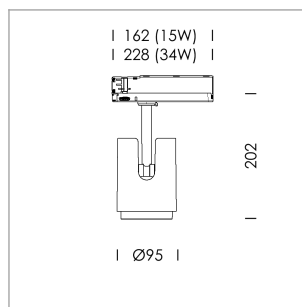
LED	COB
Light colour	927
Luminous flux	3650 lm
System power	41 W
Luminaire Efficiency	89 lm/W
Reflector	Flood
Beam angle	40°

### LUMINAIRE

Rotation angle	330°
Swivel angle	+90° / -90°
Weight	1.1 kg
Protection rating . class	IP 20 . II
Luminaire colour	stratowhite

### OPCJA

RAL-colours, NCS-colours (powder coating or wet spraying) on inquiry, surface alloys on inquiry, changeable reflector, honeycomb louver, Casambi model on inquiry



Surface-mounted luminaire with LED, rated life of the LED L80/B10 > 50000 h, colour rendering index CRI > 90, chromaticity tolerance 2 SDCM (initial), reflector with circular light distribution pattern, reflector pure aluminium 99,99% in MIRO-Silver®, segmented and faceted, exchangeable reflector unit in high-sheen black plastic, with glass cover, luminaire head die-cast aluminium, powder-coated, rotation angle 330°, swivel angle +90°/-90°, luminaire head/retention arm die-cast aluminium, stratowhite

Multiadapter black, inclusive driver unit: 220-240 V~ / 50-60 Hz, max. 64 luminaires per circuit (B16A fuse)

Note: All data are typical values. System features may change with product improvements due to technical advances. Errors excepted.

