

Ontero XR

Article number: 20530004

LIGHT TECHNOLOGY

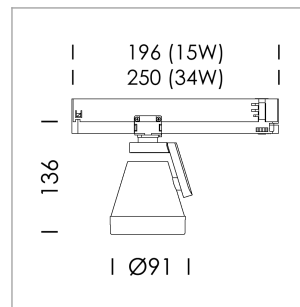
| | |
|----------------------|---------|
| LED | COB |
| Light colour | 927 |
| Luminous flux | 1490 lm |
| System power | 15 W |
| Luminaire Efficiency | 99 lm/W |
| Reflector | Spot |
| Beam angle | 20° |

LUMINAIRE

| | |
|---------------------------|-------------|
| Rotation angle | 330° |
| Swivel angle | +85° / -85° |
| Weight | 0.54 kg |
| Protection rating . class | IP 20 . II |
| Luminaire colour | stratoblack |

OPTIONEEL

RAL-colours, NCS-colours (powder coating or wet spraying) on inquiry (only luminaire head and holding arm), surface alloys on inquiry, Casambi on inquiry, honeycomb louver, blends



Surface-mounted luminaire with LED, rated life of the LED L80/B10 > 50000 h, colour rendering index CRI > 90, chromaticity tolerance 2 SDCM (initial), reflector with circular light distribution pattern, reflector pure aluminium 99,99% in MIRO-Silver®, rotation angle 330°, swivel angle +85°/-85°, luminaire head/retention arm die-cast aluminium, powder-coated, stratoblack

In-Track-Adapter, black, inclusive driver unit, Fix Current, 220-240 V~ / 50-60 Hz, max. 30 luminaires per circuit (B16A fuse)

Note: All data are typical values. System features may change with product improvements due to technical advances. Errors excepted.

