

## Ontero XR

Article number: 20550033

### LIGHT TECHNOLOGY

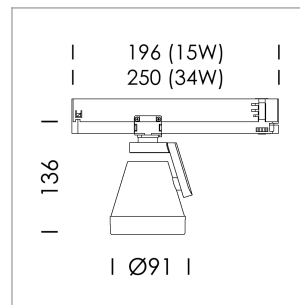
|                      |         |
|----------------------|---------|
| LED                  | COB     |
| Light colour         | BeColor |
| Luminous flux        | 2640 lm |
| System power         | 34 W    |
| Luminaire Efficiency | 78 lm/W |
| Reflector            | Flood   |
| Beam angle           | 40°     |

### LUMINAIRE

|                           |              |
|---------------------------|--------------|
| Rotation angle            | 330°         |
| Swivel angle              | +85° / -85°  |
| Weight                    | 0.54 kg      |
| Protection rating . class | IP 20 . II   |
| Luminaire colour          | stratosilver |

### OPTIONAL

RAL-colours, NCS-colours (powder coating or wet spraying) on inquiry (only luminaire head and holding arm), surface alloys on inquiry, Casambi on inquiry, blends



Surface-mounted luminaire with LED, rated life of the LED L80/B10 > 50000 h, colour rendering index CRI > 96, chromaticity tolerance 2 SDCM (initial), reflector with circular light distribution pattern, reflector pure aluminium 99,99% in MIRO-Silver®, rotation angle 330°, swivel angle +85°/-85°, luminaire head/retention arm die-cast aluminium, powder-coated, stratosilver

In-Track-Adapter, black, inclusive driver unit, Fix Current, 220-240 V~ / 50-60 Hz, max. 25 luminaires per circuit (B16A fuse)

Note: All data are typical values. System features may change with product improvements due to technical advances. Errors excepted.

