

Ontero XR

Article number: 20770029

LIGHT TECHNOLOGY

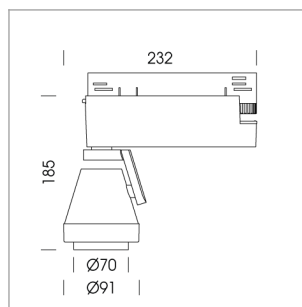
| | |
|----------------------|---------|
| LED | COB |
| Light colour | BeColor |
| Luminous flux | 1370 lm |
| System power | 15 W |
| Luminaire Efficiency | 91 lm/W |
| Reflector | Spot |
| Beam angle | 20° |

LUMINAIRE

| | |
|---------------------------|-------------|
| Rotation angle | 400° |
| Swivel angle | +85° / -85° |
| Weight | 0.8 kg |
| Protection rating . class | IP 20 . I |
| Luminaire colour | stratowhite |

OPCJA

RAL-colours, NCS-colours (powder coating or wet spraying) on inquiry (only luminaire head and holding arm) surface alloys on inquiry, honeycomb louver, blends



Surface-mounted luminaire with LED, rated life of the LED L80/B10 > 50000 h, colour rendering index CRI > 96, chromaticity tolerance 2 SDCM (initial), reflector with circular light distribution pattern, reflector pure aluminium 99,99% in MIRO-Silver®, segmented and faceted, 3D lens silicon to reduce the proportion of scattered light, rotation angle 400°, swivel angle +85°/-85°, luminaire head/retention arm die-cast aluminium, powder-coated, stratowhite, power-adaptor, black, inclusive fix current driver unit: 220-240 V~ / 50-60 Hz, max. 34 luminaires per circuit (B16A fuse)

Note: All data are typical values. System features may change with product improvements due to technical advances. Errors excepted.

