

## Ontero CS 90

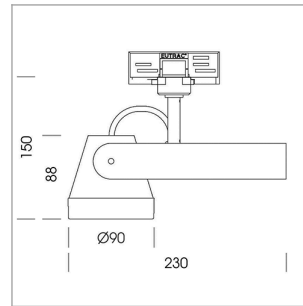
Article number: 20500005

### LIGHT TECHNOLOGY

|                      |          |
|----------------------|----------|
| LED                  | COB      |
| Light colour         | 835      |
| Luminous flux        | 2190 lm  |
| System power         | 15 W     |
| Luminaire Efficiency | 139 lm/W |
| Reflector            | Spot     |
| Beam angle           | 15°      |

### LUMINAIRE

|                           |              |
|---------------------------|--------------|
| Rotation angle            | 350°         |
| Swivel angle              | +180° / -20° |
| Weight                    | 1.3 kg       |
| Protection rating . class | IP 20 . I    |
| Luminaire colour          | stratowhite  |



Surface-mounted luminaire with LED, rated life of the LED L80/B10 > 50000 h, colour rendering index CRI > 80, chromaticity tolerance 2 SDCM (initial), reflector with circular light distribution pattern, reflector pure aluminium 99,99% in MIRO-Silver®, luminaire head die-cast aluminium, powder-coated, rotation angle 350°, swivel angle +180°/-20°, luminaire housing sheet steel, powder-coated, stratowhite

Multiadapter black, inclusive driver unit: 220-240 V~ / 50-60 Hz, max. 34 luminaires per circuit (B16A fuse)

Note: All data are typical values. System features may change with product improvements due to technical advances. Errors excepted.

