

## Ontero XR

Article number: 20770049

### LIGHT TECHNOLOGY

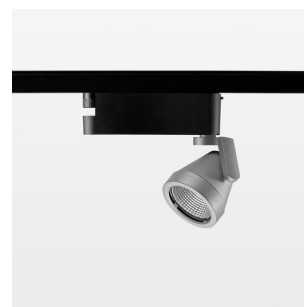
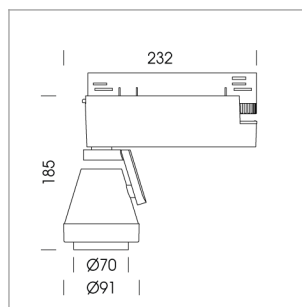
|                      |          |
|----------------------|----------|
| LED                  | COB      |
| Light colour         | 830      |
| Luminous flux        | 2830 lm  |
| System power         | 23 W     |
| Luminaire Efficiency | 123 lm/W |
| Reflector            | Spot     |
| Beam angle           | 20°      |

### LUMINAIRE

|                           |              |
|---------------------------|--------------|
| Rotation angle            | 400°         |
| Swivel angle              | +85° / -85°  |
| Weight                    | 0.8 kg       |
| Protection rating . class | IP 20 . I    |
| Luminaire colour          | stratosilver |

### OPCJA

RAL-colours, NCS-colours (powder coating or wet spraying) on inquiry (only luminaire head and holding arm) surface alloys on inquiry, honeycomb louver, blends



Surface-mounted luminaire with LED, rated life of the LED L80/B10 > 50000 h, colour rendering index CRI > 80, chromaticity tolerance 2 SDCM (initial), reflector with circular light distribution pattern, reflector pure aluminium 99,99% in MIRO-Silver®, segmented and faceted, 3D lens silicon to reduce the proportion of scattered light, rotation angle 400°, swivel angle +85°/-85°, luminaire head/retention arm die-cast aluminium, powder-coated, stratosilver, power-adaptor, black, inclusive fix current driver unit: 220-240 V~ / 50-60 Hz, max. 34 luminaires per circuit (B16A fuse)

Note: All data are typical values. System features may change with product improvements due to technical advances. Errors excepted.

