

Pendiro AM 290

Article number: 81200026

LIGHT TECHNOLOGY

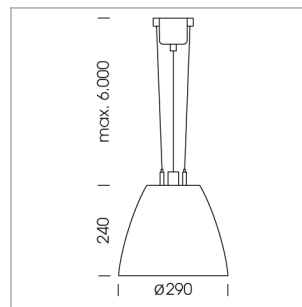
| | |
|----------------------|----------|
| LED | COB |
| Light colour | 835 |
| Luminous flux | 6890 lm |
| System power | 59 W |
| Luminaire Efficiency | 116 lm/W |
| Reflector | BatWing |
| Beam angle | 2 x 25° |

LUMINAIRE

| | |
|---------------------------|-------------|
| Weight | 3.1 kg |
| Protection rating . class | IP 20 . I |
| Luminaire colour | stratoblack |

OPCJA

RAL colors, Mounting Accessories



Suspended luminaire with LED, rated life of the LED L80/B10 > 50000 h, colour rendering index CRI > 80, chromaticity tolerance 3 SDCM (initial), reflector with double asymmetrical light distribution pattern, reflector pure aluminium 99,99% in MIRO-Silver®, luminaire housing sheet steel, powder-coated, stratoblack

Multiadapter black, inclusive driver unit: 220-240 V~ / 50-60 Hz, max. 40 luminaires per circuit (B16A fuse)

Note: All data are typical values. System features may change with product improvements due to technical advances. Errors excepted.

