

Pendiro QT

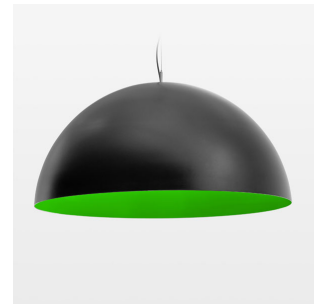
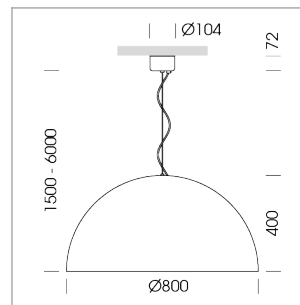
Article number: 6421000003

LIGHT TECHNOLOGY

LED	E27
Light colour	828
Luminous flux	1055 lm
System power	13 W
Luminaire Efficiency	81 lm/W
Reflector	freistrahlend
Beam angle	80°

LUMINAIRE

Protection rating . class	IP 20 . I
Luminaire colour	black



Decorative suspended luminaire with hub holder E27, max 150W, shade made of painted aluminium, black / yellow-green, metal trim ring (diameter 95mm) around hub holder, 28 ventilation openings (diameter 5mm) concentric circular arrangement, double-insulated cabling, clamping device on cable ends if feed cable > 80 mm, power feed cable and canopy black, steel cable hanging set, ceiling-mounting, 1.5m cable

All light-measurements are based on the application with 13 watt LED lamp (Art. No.: 64110MM21113)

Note: All data are typical values. System features may change with product improvements due to technical advances. Errors excepted.

