

## Intara XR

Article number: 50860004

### LIGHT TECHNOLOGY

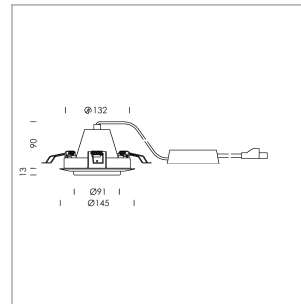
LED	COB
Light colour	840
Luminous flux	1280 lm
System power	15 W
Luminaire Efficiency	85 lm/W
Reflector	NarrowSpot
Beam angle	10°

### LUMINAIRE

Swivel angle	+25° / -25°
Weight	0.69 kg
Protection rating . class	IP 20 . II
Luminaire colour	stratoblack

### OPCJA

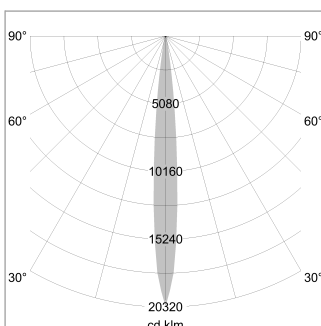
RAL-colours, NCS-colours (powder coating or wet spraying) on inquiry, surface alloys on inquiry, honeycomb louver



Recessed luminaire with LED, rated life of the LED L80/B10 > 50000 h, colour rendering index CRI > 80, chromaticity tolerance 3 SDCM (initial), rotation-symmetrical reflector with circular light distribution pattern, reflector pure aluminium 99,99% in MIRO-Silver®, segmented and faceted, 3D lens silicon to reduce the proportion of scattered light, die-cast aluminium, powder-coated, rotation angle , swivel angle +25° / -25°, stratoblack,

Inclusiv fix conected driver unit  
220-240 V~ / 50-60 Hz, max. 36 luminaires per circuit (B16A fuse)

Note: All data are typical values. System features may change with product improvements due to technical advances. Errors excepted.



1.0 m	0.18	25994.0
2.0 m	0.36	6498.5
3.0 m	0.54	2888.2
4.0 m	0.72	1624.6
5.0 m	0.90	1039.8
	Ø (m)	E0(0°) [lx]

