

Ontero TX

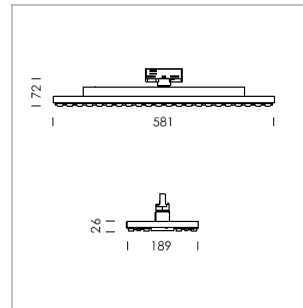
Article number: 21380005

LIGHT TECHNOLOGY

LED	SMD-Board
Light colour	835
Luminous flux	5790 - 10230 lm
System power	38 W - 72 W
Luminaire Efficiency	152 lm/W - 142 lm/W
Reflector	WideFlood
Beam angle	60°

LUMINAIRE

Rotation angle	330°
Weight	3.1 kg
Protection rating . class	IP 20 . I
Luminaire colour	matt white



Surface-mounted luminaire with LED, rated life of the LED L80/B50 > 50000 h, colour rendering index CRI > 80, chromaticity tolerance 3 SDCM (initial), double asymmetrical light distribution pattern, TIR-lens made of PMMA, Driver with power selection via DIP switch, 8 possible levels: 38 W (5560 lm), 42 W (6160 lm), 47 W (6730 lm), 52 W (7320lm), 57 W (7890 lm), 62W (8840 lm), 67 W (8990lm), 72 W (9540 lm), 62 Watt preselected, rotation angle 330°, luminaire housing sheet steel, powder-coated, matt white,

Multiadapter black, inclusive driver unit: 220-240 V~ / 50-60 Hz, max. 24 luminaires per circuit (B16A fuse), DIP-Switch 38W-72W (default 53W), temperature protection

Note: All data are typical values. System features may change with product improvements due to technical advances. Errors excepted.

