

Ontero TX

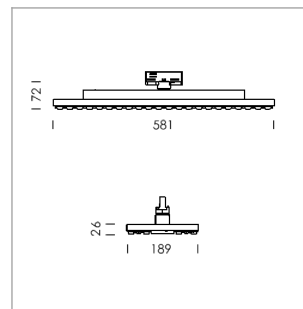
Article number: 21390002

LIGHT TECHNOLOGY

| | |
|----------------------|---------------------|
| LED | SMD-Board |
| Light colour | 835 |
| Luminous flux | 5730 - 10110 lm |
| System power | 38 W - 72 W |
| Luminaire Efficiency | 151 lm/W - 140 lm/W |
| Reflector | Xtra WideFlood |
| Beam angle | 90° |

LUMINAIRE

| | |
|---------------------------|------------|
| Rotation angle | 330° |
| Weight | 3.1 kg |
| Protection rating . class | IP 20 . I |
| Luminaire colour | matt black |



Surface-mounted luminaire with LED, rated life of the LED L80/B50 > 50000 h, colour rendering index CRI > 80, chromaticity tolerance 3 SDCM (initial), extra wide, homogeneous light distribution pattern, TIR-lens made of PMMA, power selection via DIP switch, 8 possible levels: 38 W (5530 lm), 42 W (6130 lm), 47 W (6700 lm), 52 W (7280 lm), 57 W (7850 lm , preset), 62W (8390 lm), 67 W (8950 lm), 72 W (9490 lm), rotation angle 330°, luminaire housing sheet steel, powder-coated, matt black,

Multiadapter black, inclusive driver unit: 220-240 V~ / 50-60 Hz, max. 24 luminaires per circuit (B16A fuse), DIP-Switch 38W-72W (default 53W), temperature protection

Note: All data are typical values. System features may change with product improvements due to technical advances. Errors excepted.

