

Ontero TX

Article number: 21410005

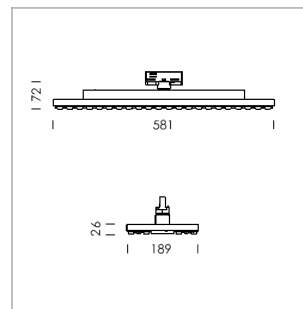
LIGHT TECHNOLOGY

| | |
|----------------------|---------------------|
| LED | SMD-Board |
| Light colour | 835 |
| Luminous flux | 5790 - 10230 lm |
| System power | 38 W - 72 W |
| Luminaire Efficiency | 152 lm/W - 142 lm/W |
| Reflector | WideFlood |
| Beam angle | 60° |

LUMINAIRE

| | |
|---------------------------|------------|
| Rotation angle | 330° |
| Weight | 3.1 kg |
| Protection rating . class | IP 20 . I |
| Luminaire colour | matt white |

OPTIONAL



Surface-mounted luminaire with LED, rated life of the LED L80/B50 > 50000 h, colour rendering index CRI > 80, chromaticity tolerance 3 SDCM (initial), double asymmetrical light distribution pattern, TIR-lens made of PMMA, Driver with power selection via DIP switch, 8 possible levels: 38 W (5560 lm), 42 W (6160 lm), 47 W (6730 lm), 52 W (7320lm), 57 W (7890 lm), 62W (8840 lm), 67 W (8990lm), 72 W (9540 lm), 62 Watt preselected, rotation angle 330°, luminaire housing sheet steel, powder-coated, matt white,

inclusiv driver unit: 220-240 V~ / 50-60 Hz, DALI, max. 15 luminaires per circuit (B16A fuse), temperature protection

Note: All data are typical values. System features may change with product improvements due to technical advances. Errors excepted.

