

## Intara CX

Article number: 51490003

### LIGHT TECHNOLOGY

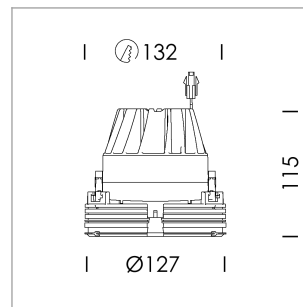
|                      |           |
|----------------------|-----------|
| LED                  | COB       |
| Light colour         | 840       |
| Luminous flux        | 1720 lm   |
| System power         | 15 W      |
| Luminaire Efficiency | 111 lm/W  |
| Reflector            | Downlight |
| Beam angle           | 60°       |

### LUMINAIRE

|                           |             |
|---------------------------|-------------|
| Weight                    | 0.65 kg     |
| Protection rating . class | IP 20 . III |
| Luminaire colour          | black       |

### OPTIONAL

RAL-colours, NCS-colours (powder coating or wet spraying) on inquiry, surface alloys on inquiry, honeycomb louver



Recessed downlight, flush with ceiling with LED, rated life of the LED L80/B10 > 50000 h, colour rendering index CRI > 80, chromaticity tolerance 2 SDCM (initial), reflector with homogeneous light distribution pattern, diffuser lens, translucent, darklight reflector, aluminium, metallised, highgloss, luminaire head die-cast aluminium, black anodized black anodized, Ceiling plaster die-cast aluminum, trim plastic injection molding, black, separate driver unit

76500050 driver unit, Fix Current, 220-240 V / 50-60 Hz, 400 mA, camera-compatible, up to 2.5 KV interference resistance, SELV, max. 34 luminaires per circuit (B16A fuse)

76500051 driver unit, DALI, 220-240 V / 50-60 Hz, 400 mA, with GST18/5-pin connector, incl. 5-conductor feed-through wiring, camera-compatible, up to 2.5 KV interference resistance, SELV, max. 24 luminaires per circuit (B16A fuse)

Note: All data are typical values. System features may change with product improvements due to technical advances. Errors excepted.

