

Intara CX

Article number: 51370003

LIGHT TECHNOLOGY

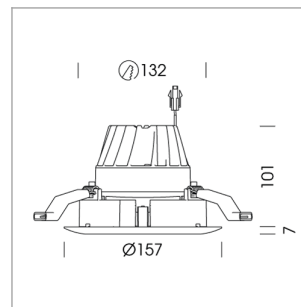
| | |
|----------------------|----------|
| LED | COB |
| Light colour | 840 |
| Luminous flux | 2920 lm |
| System power | 23 W |
| Luminaire Efficiency | 126 lm/W |
| Reflector | Medium |
| Beam angle | 25° |

LUMINAIRE

| | |
|---------------------------|-------------|
| Rotation angle | 350° |
| Swivel angle | +30° / -30° |
| Weight | 0.72 kg |
| Protection rating . class | IP20 . III |
| Luminaire colour | black |

OPCJA

RAL-colours, NCS-colours (powder coating or wet spraying) on inquiry, surface alloys on inquiry, honeycomb louver



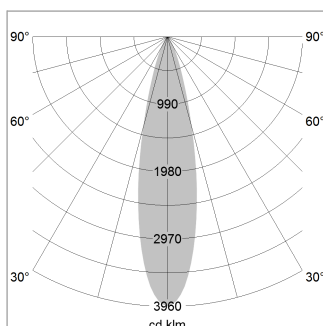
Recessed directional spot with LED, rated life of the LED L80/B10 > 50000 h, colour rendering index CRI > 80, chromaticity tolerance 2 SDCM (initial), LED hybrid technology, 3D silicone lens to reduce the proportion of scattered light, reflector with circular light distribution pattern, reflector pure aluminium 99,99% in MIRO-Silver®, segmented and faceted, exchangeable reflector unit in high-sheen black plastic, with glass cover, luminaire head designed as heat sink die-cast aluminium, black anodized, rotation angle 350°, swivel angle +30°/-30°, assembly ring die-cast aluminum, front ring and trim in plastic, plastic clamp spring for ceiling attachment, black, separate driver unit

76500102 driver unit, Fix Current, IP54,
220-240 V / 50-60 Hz, 600 mA, camera-compatible, up to 2.5 KV interference resistance, SELV, max. 34 luminaires per circuit (B16A fuse)

76500106 driver unit, DALI, IP54,
220-240 V / 50-60 Hz, 600 mA, camera-compatible, up to 2.5 KV interference resistance, SELV, max. 24 luminaires per circuit (B16A fuse)

76500034 driver unit, Fix Current,
220-240 V / 50-60 Hz, 600 mA, camera-compatible, up to 2.5 KV interference resistance, SELV, max. 34 luminaires per circuit (B16A fuse)

76500039 driver unit, DALI,
220-240 V / 50-60 Hz, 600 mA, with GST18/5-pin connector, incl. 5-conductor feed-through wiring, camera-compatible, up to 2.5 KV interference resistance, SELV, max. 24 luminaires per circuit (B16A fuse)



| | | |
|-------|------|-------------|
| 1.0 m | 0.44 | 10959.0 |
| 2.0 m | 0.88 | 2740.0 |
| 3.0 m | 1.32 | 1218.0 |
| 4.0 m | 1.76 | 685.0 |
| 5.0 m | 2.20 | 439.0 |
| Ø (m) | | E0(0°) [lx] |

Note: All data are typical values. System features may change with product improvements due to technical advances. Errors excepted.

