

Intara EC 125

Article number: 51190171

LIGHT TECHNOLOGY

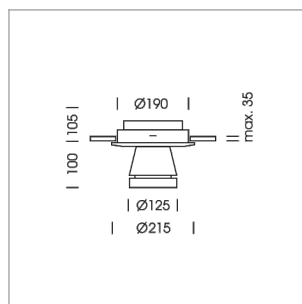
LED	COB
Light colour	Sun
Luminous flux	lm
System power	28 W
Reflector	OvalBasic
Beam angle	60° x 30°

LUMINAIRE

Rotation angle	170°
Swivel angle	65°
Weight	1.9 kg
Protection rating . class	IP 20 . III
Luminaire colour	stratoblack

OPTIONEEL

RAL-colours, NCS-colours (powder coating or wet spraying) on inquiry, surface alloys on inquiry, honeycomb louver



Semi-recessed luminaire with LED, rated life of the LED L80/B10 > 50000 h, chromaticity tolerance 3 SDCM (initial), reflector with oval light distribution pattern, reflector pure aluminium 99,99% in MIRO-Silver®, luminaire head die-cast aluminium, powder-coated, rotation angle 170°, swivel angle 65°, mounting frame sheet steel, lightproof, stratoblack, separate driver unit

76500035 driver unit, Fix Current, 220-240 V / 50-60 Hz, 700 mA, camera-compatible, up to 2.5 KV interference resistance, SELV, max. 34 luminaires per circuit (B16A fuse)

Note: All data are typical values. System features may change with product improvements due to technical advances. Errors excepted.



1.0 m	1.05 0.41	2944.0
2.0 m	2.10 0.82	736.0
3.0 m	3.15 1.23	328.0
4.0 m	4.20 1.64	184.0
5.0 m	5.25 2.05	118.0
	Ø (m)	E0(0°)(lx)

