

## Intara EC 125

Article number: 51220102

### LIGHT TECHNOLOGY

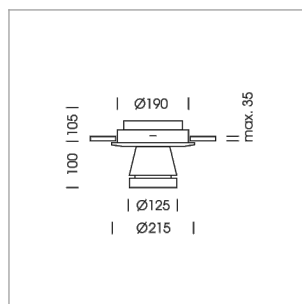
LED	COB
Light colour	SpecialMeat
Luminous flux	2490 lm
System power	47 W
Luminaire Efficiency	52 lm/W
Reflector	OvalBasic
Beam angle	60° x 30°

### LUMINAIRE

Rotation angle	170°
Swivel angle	65°
Weight	2.0 kg
Protection rating . class	IP 20 . III
Luminaire colour	stratoblack

### OPTIONEEL

RAL-colours, NCS-colours (powder coating or wet spraying) on inquiry, surface alloys on inquiry, honeycomb louver



Semi-recessed luminaire with LED, rated life of the LED L80/B10 > 50000 h, chromaticity tolerance 2 SDCM (initial), reflector with oval light distribution pattern, reflector pure aluminium 99,99% in MIRO-Silver®, luminaire head die-cast aluminium, powder-coated, rotation angle 170°, swivel angle 65°, mounting frame sheet steel, lightproof, stratoblack, separate driver unit

76500092 driver unit, Fix Current, 220-240 V / 50-60 Hz, 1200 mA, camera-compatible, up to 2.5 KV interference resistance, SELV, max. 24 luminaires per circuit (B16A fuse)

76500093 driver unit, DALI, 220-240 V / 50-60 Hz, 1200 mA, with GST18/5-pin connector, incl. 5-conductor feed-through wiring, camera-compatible, up to 2.5 KV interference resistance, SELV, max. 30 luminaires per circuit (B16A fuse)

Note: All data are typical values. System features may change with product improvements due to technical advances. Errors excepted.

