

## Intara SQ 174

Article number: 50660008

### LIGHT TECHNOLOGY

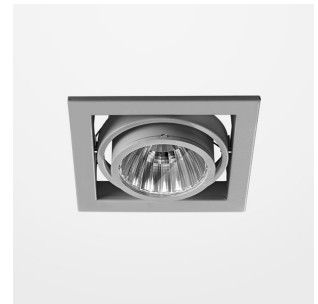
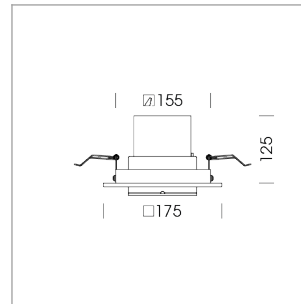
|                      |          |
|----------------------|----------|
| LED                  | COB      |
| Light colour         | 835      |
| Luminous flux        | 3740 lm  |
| System power         | 34 W     |
| Luminaire Efficiency | 112 lm/W |
| Reflector            | Spot     |
| Beam angle           | 16°      |

### LUMINAIRE

|                           |              |
|---------------------------|--------------|
| Swivel angle              | +30° / -30°  |
| Weight                    | 1.1 kg       |
| Protection rating . class | IP 20 . III  |
| Luminaire colour          | stratosilver |

### OPTIONEEL

RAL colours



Recessed luminaire with LED, rated life of the LED L80/B10 > 50000 h, colour rendering index CRI > 80, chromaticity tolerance 2 SDCM (initial), reflector with circular light distribution pattern, reflector pure aluminium 99,99% in MIRO-Silver®, cardanic, swivel angle +30°/-30°, luminaire housing sheet steel, powder-coated, stratosilver, separate driver unit

76500076 driver unit, fix current  
220-240 V / 50-60 Hz, 850 mA, with GST18/3-pin connector, incl. 3-conductor feed-through wiring, camera-compatible, up to 2.5 KV interference resistance, SELV, max. 34 luminaires per circuit (B16A fuse)

76500077 driver unit, DALI  
220-240 V / 50-60 Hz, 850 mA, with GST18/5-pin connector, incl. 5-conductor feed-through wiring, camera-compatible, up to 2.5 KV interference resistance, SELV, max. 24 luminaires per circuit (B16A fuse)

Note: All data are typical values. System features may change with product improvements due to technical advances. Errors excepted.

