

Intara SQ 174

Article number: 50660028

LIGHT TECHNOLOGY

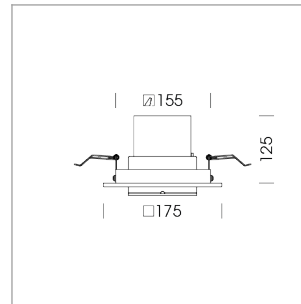
| | |
|----------------------|---------|
| LED | COB |
| Light colour | 927 |
| Luminous flux | 2840 lm |
| System power | 34 W |
| Luminaire Efficiency | 85 lm/W |
| Reflector | Flood |
| Beam angle | 30° |

LUMINAIRE

| | |
|---------------------------|--------------|
| Swivel angle | +30° / -30° |
| Weight | 1.1 kg |
| Protection rating . class | IP 20 . III |
| Luminaire colour | stratosilver |

OPTIONEEL

RAL colours



Recessed luminaire with LED, rated life of the LED L80/B10 > 50000 h, colour rendering index CRI > 90, chromaticity tolerance 2 SDCM (initial), reflector with circular light distribution pattern, reflector pure aluminium 99,99% in MIRO-Silver®, cardanic, swivel angle +30°/-30°, luminaire housing sheet steel, powder-coated, stratosilver, separate driver unit

76500076 driver unit, fix current
220-240 V / 50-60 Hz, 850 mA, with GST18/3-pin connector, incl. 3-conductor feed-through wiring, camera-compatible, up to 2.5 KV interference resistance, SELV, max. 34 luminaires per circuit (B16A fuse)

76500077 driver unit, DALI
220-240 V / 50-60 Hz, 850 mA, with GST18/5-pin connector, incl. 5-conductor feed-through wiring, camera-compatible, up to 2.5 KV interference resistance, SELV, max. 24 luminaires per circuit (B16A fuse)

Note: All data are typical values. System features may change with product improvements due to technical advances. Errors excepted.

