

## Intara XR

Article number: 50700010

### LIGHT TECHNOLOGY

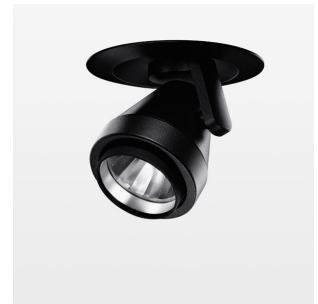
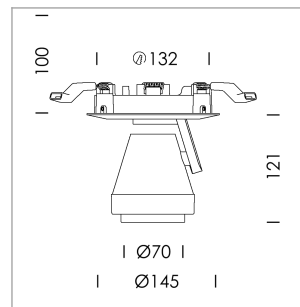
|                      |            |
|----------------------|------------|
| LED                  | COB        |
| Light colour         | PearlWhite |
| Luminous flux        | 3480 lm    |
| System power         | 41 W       |
| Luminaire Efficiency | 85 lm/W    |
| Reflector            | Spot       |
| Beam angle           | 20°        |

### LUMINAIRE

|                           |             |
|---------------------------|-------------|
| Rotation angle            | 400°        |
| Swivel angle              | +85° / -85° |
| Weight                    | 0.65 kg     |
| Protection rating . class | IP 20 . II  |
| Luminaire colour          | stratoblack |

### OPTIONAL

RAL-colours, NCS-colours (powder coating or wet spraying) on inquiry, surface alloys on inquiry, honeycomb louver



Semi-recessed luminaire with LED, rated life of the LED L80/B10 > 50000 h, colour rendering index CRI > 90, chromaticity tolerance 2 SDCM (initial), rotation-symmetrical reflector with circular light distribution pattern, reflector pure aluminium 99,99% in MIRO-Silver®, segmented and faceted, 3D lens silicon to reduce the proportion of scattered light, die-cast aluminium, powder-coated, rotation angle 400°, swivel angle +85° / -85°, stratoblack, separate driver unit

76500037 driver unit, Fix Current, 220-240 V / 50-60 Hz, 1050 mA, camera-compatible, up to 2.5 KV interference resistance, SELV, max. 22 luminaires per circuit (B16A fuse)

76500042 driver unit, DALI, 220-240 V / 50-60 Hz, 1050 mA, with GST18/5-pin connector, incl. 5-conductor feed-through wiring, camera-compatible, up to 2.5 KV interference resistance, SELV, max. 22 luminaires per circuit (B16A fuse)

Note: All data are typical values. System features may change with product improvements due to technical advances. Errors excepted.

