

Intara XR

Article number: 50700027

LIGHT TECHNOLOGY

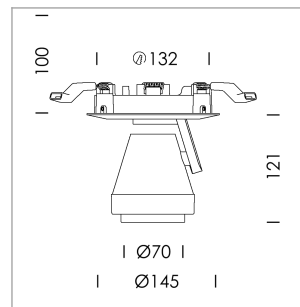
| | |
|----------------------|----------|
| LED | COB |
| Light colour | 840 |
| Luminous flux | 4400 lm |
| System power | 41 W |
| Luminaire Efficiency | 107 lm/W |
| Reflector | Spot |
| Beam angle | 20° |

LUMINAIRE

| | |
|---------------------------|-------------|
| Rotation angle | 400° |
| Swivel angle | +85° / -85° |
| Weight | 0.65 kg |
| Protection rating . class | IP 20 . II |
| Luminaire colour | stratowhite |

OPTIONAL

RAL-colours, NCS-colours (powder coating or wet spraying) on inquiry, surface alloys on inquiry, honeycomb louver



Semi-recessed luminaire with LED, rated life of the LED L80/B10 > 50000 h, colour rendering index CRI > 80, chromaticity tolerance 2 SDCM (initial), rotation-symmetrical reflector with circular light distribution pattern, reflector pure aluminium 99,99% in MIRO-Silver®, segmented and faceted, 3D lens silicon to reduce the proportion of scattered light, die-cast aluminium, powder-coated, rotation angle 400°, swivel angle +85° / -85°, stratowhite, separate driver unit

76500037 driver unit, Fix Current, 220-240 V / 50-60 Hz, 1050 mA, camera-compatible, up to 2.5 KV interference resistance, SELV, max. 22 luminaires per circuit (B16A fuse)

76500042 driver unit, DALI, 220-240 V / 50-60 Hz, 1050 mA, with GST18/5-pin connector, incl. 5-conductor feed-through wiring, camera-compatible, up to 2.5 KV interference resistance, SELV, max. 22 luminaires per circuit (B16A fuse)

Note: All data are typical values. System features may change with product improvements due to technical advances. Errors excepted.

