

## Pendiro CP 300

Article number: 81090020

### LIGHT TECHNOLOGY

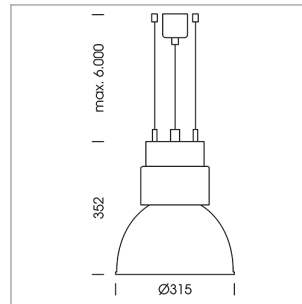
|                      |          |
|----------------------|----------|
| LED                  | COB      |
| Light colour         | 840      |
| Luminous flux        | 5480 lm  |
| System power         | 41 W     |
| Luminaire Efficiency | 134 lm/W |
| Reflector            | Flood    |
| Beam angle           | 40°      |

### LUMINAIRE

|                           |              |
|---------------------------|--------------|
| Swivel angle              | +25° / -25°  |
| Weight                    | 3.2 kg       |
| Protection rating . class | IP 20 . I    |
| Luminaire colour          | stratosilver |

### OPTIONAL

RAL-colours, NCS-colours (powder coating or wet spraying) on inquiry, surface alloys on inquiry, honeycomb louver



Suspended luminaire with LED, rated life of the LED L80/B10 > 50000 h, colour rendering index CRI > 80, chromaticity tolerance 2 SDCM (initial), reflector with circular light distribution pattern, reflector pure aluminium 99,99% in MIRO-Silver®, luminaire shade die-cast aluminium, powder-coated, swivel angle +25°/-25°, luminaire housing sheet steel, powder-coated, stratosilver

Multiadapter black, inclusive driver unit: 220-240 V~ / 50-60 Hz, max. 24 luminaires per circuit (B16A fuse)

Note: All data are typical values. System features may change with product improvements due to technical advances. Errors excepted.

