

Pendiro CP 300

Article number: 81100011

LIGHT TECHNOLOGY

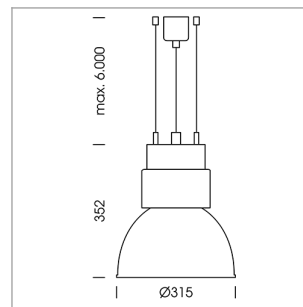
| | |
|----------------------|-----------|
| LED | COB |
| Light colour | 835 |
| Luminous flux | 4420 lm |
| System power | 34 W |
| Luminaire Efficiency | 130 lm/W |
| Reflector | OvalBasic |
| Beam angle | 60° x 40° |

LUMINAIRE

| | |
|---------------------------|-------------|
| Swivel angle | +25° / -25° |
| Weight | 3.2 kg |
| Protection rating . class | IP 20 . I |
| Luminaire colour | stratowhite |

OPTIONAL

RAL-colours, NCS-colours (powder coating or wet spraying) on inquiry, surface alloys on inquiry, honeycomb louver



Suspended luminaire with LED, rated life of the LED L80/B10 > 50000 h, colour rendering index CRI > 80, chromaticity tolerance 2 SDCM (initial), reflector with oval light distribution pattern, reflector pure aluminium 99,99% in MIRO-Silver®, luminaire shade die-cast aluminium, powder-coated, swivel angle +25°/-25°, luminaire housing sheet steel, powder-coated, stratowhite

Multiadapter black, inclusive driver unit: 220-240 V~ / 50-60 Hz, max. 24 luminaires per circuit (B16A fuse)

Note: All data are typical values. System features may change with product improvements due to technical advances. Errors excepted.

