

## Pendiro XR

Article number: 80780028

### LIGHT TECHNOLOGY

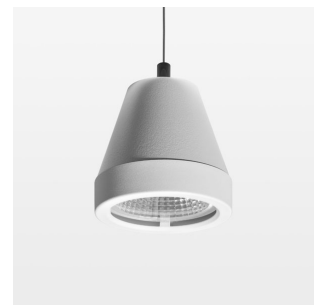
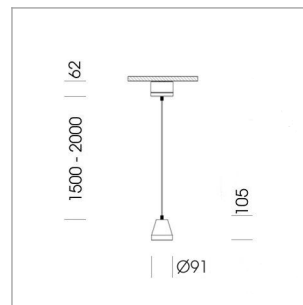
LED	COB
Light colour	927
Luminous flux	1560 lm
System power	15 W
Luminaire Efficiency	104 lm/W
Reflector	Medium
Beam angle	25°

### LUMINAIRE

Weight	1.0 kg
Protection rating . class	IP 20 . I
Luminaire colour	stratowhite

### OPCJA

RAL-colours, NCS-colours (powder coating or wet spraying) on inquiry, surface alloys on inquiry (only luminaire head and holding arm, honeycomb louver



Suspended luminaire with LED, rated life of the LED L80/B10 > 50000 h, colour rendering index CRI > 90, chromaticity tolerance 2 SDCM (initial), reflector with circular light distribution pattern, reflector pure aluminium 99,99% in MIRO-Silver®, segmented and faceted, 3D lens silicon to reduce the proportion of scattered light, luminaire head die-cast aluminium, powder-coated, stratowhite

Multiadapter black, inclusive driver unit: 220-240 V~ / 50-60 Hz, max. 24 luminaires per circuit (B16A fuse)

Note: All data are typical values. System features may change with product improvements due to technical advances. Errors excepted.

